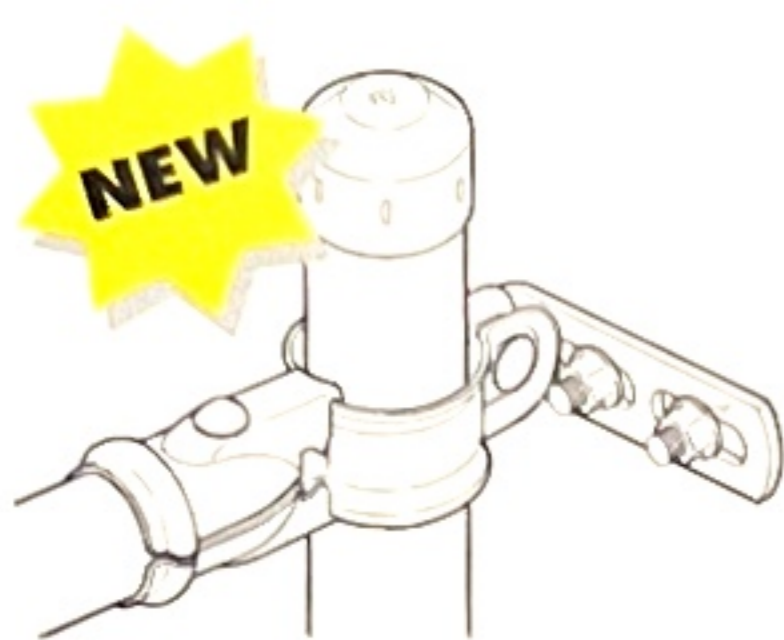
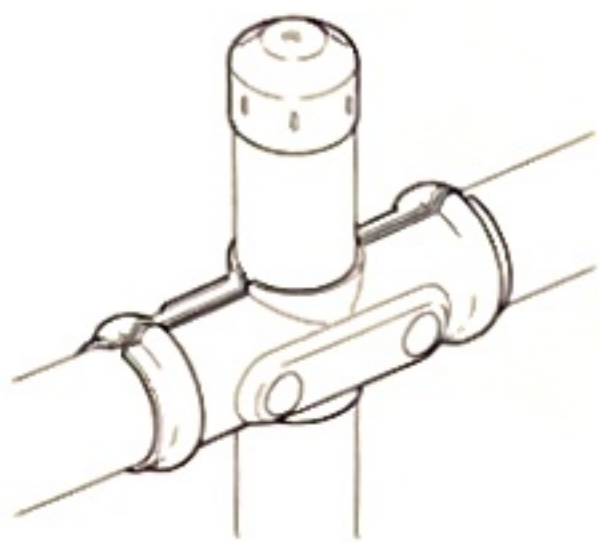


TEE

BUTT 15NB - 50NB
THRU 15NB - 80NB



OFF WALL BRACKET



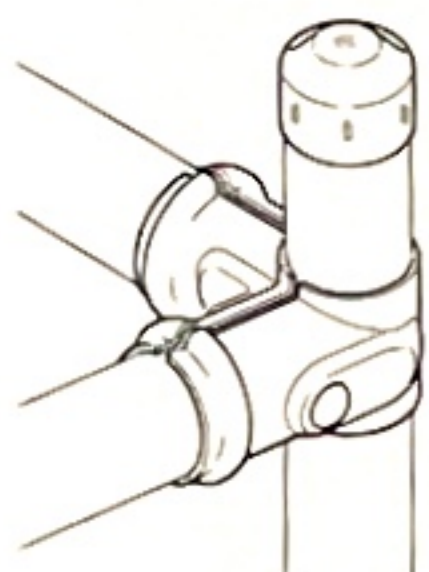
CROSS

BUTT 15NB - 50NB
THRU 15NB - 65NB



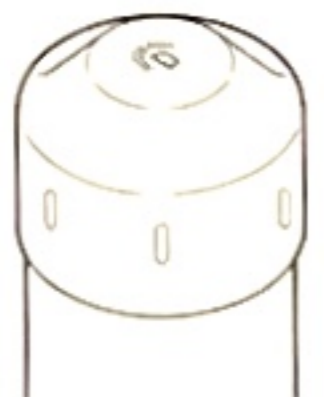
SQ TUBE POST CAP

TUBE: 25SQ - 100SQ



CORNER

BUTT 15NB - 50NB
THRU 15NB - 50NB



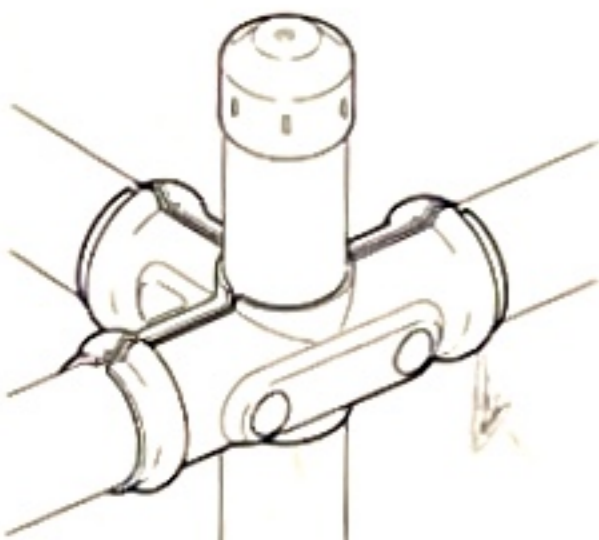
ROUND POST CAP

PIPE: 20NB - 150NB



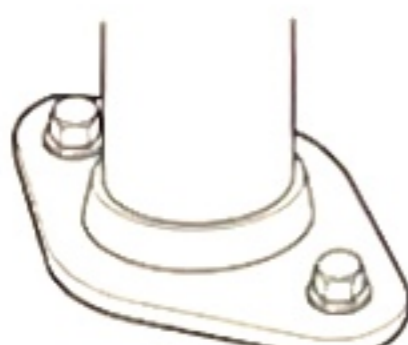
ROUND POST CAP

PIPE: 25NB - 80NB



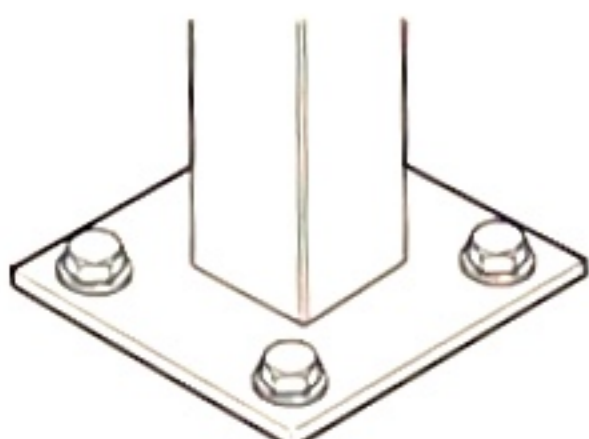
5 WAY TEE

BUTT 25NB - 32NB
THRU 55NB - 40NB



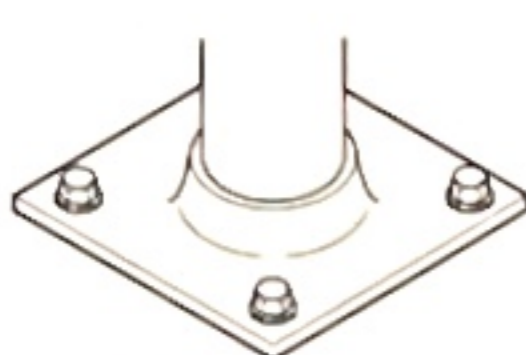
OVAL FLANGE

PIPE: 20NB - 50NB



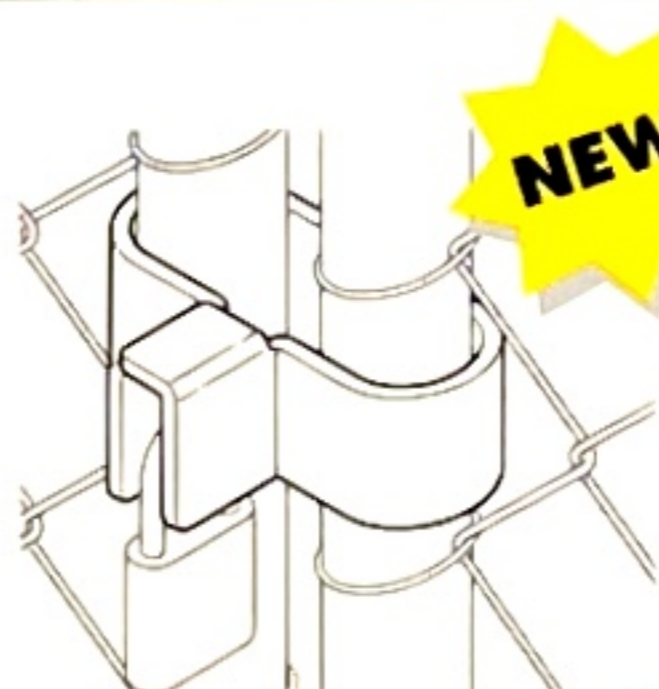
POST BRACKET

TUBE: 50X50

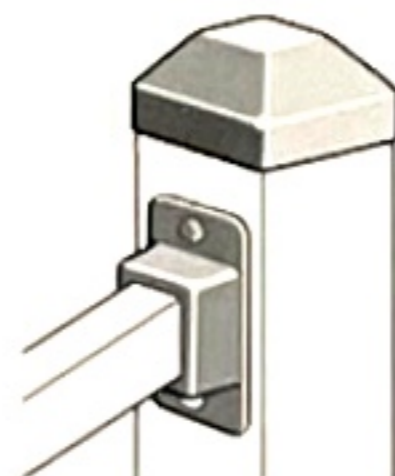


SQUARE FLANGE

PIPE: 32NB - 50NB



THE GATE KEEPER



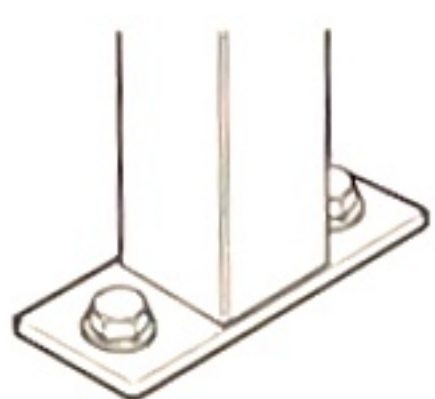
RAIL BRACKET

RAIL: 25SQ, 30SQ, 38X25 & 40SQ



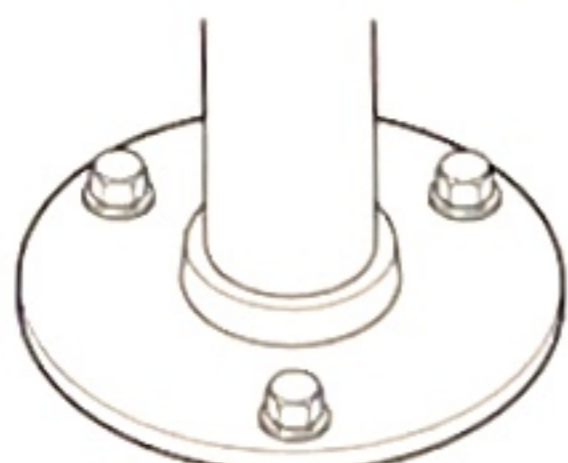
ADJ. RAIL BRACKET

RAIL: 25SQ, 30SQ, 38X25 & 40SQ



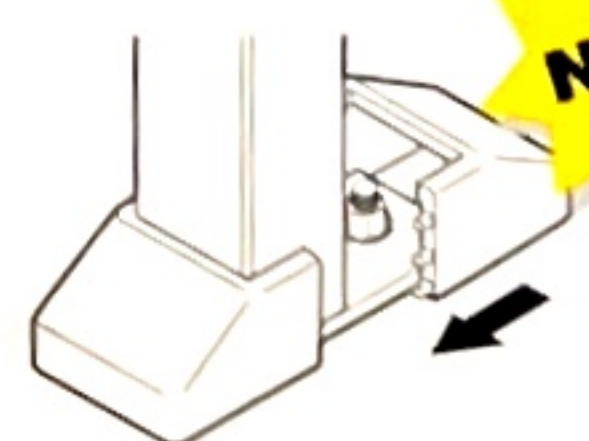
POST BRACKET

TUBE 50X50



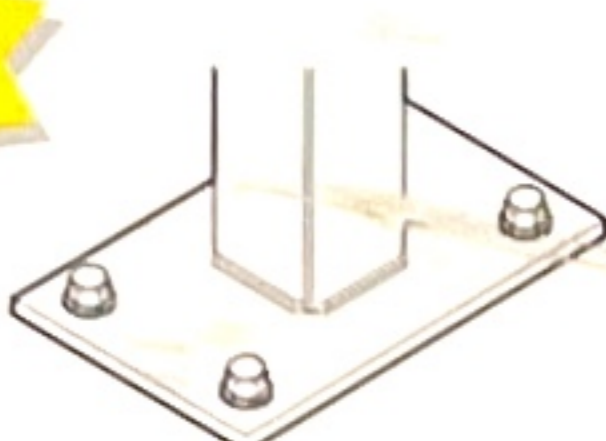
ROUND FLANGE

PIPE: 25NB - 50NB

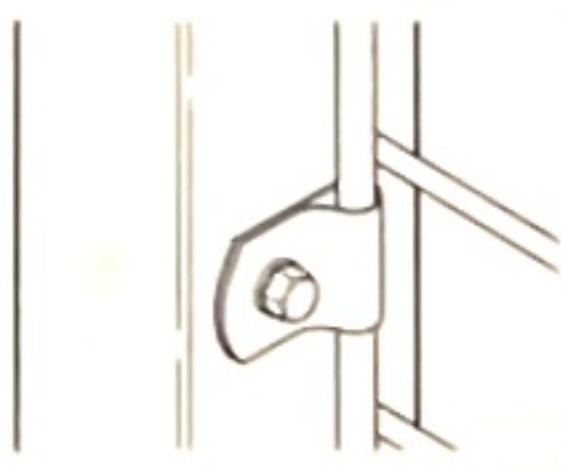


FLANGE COVER

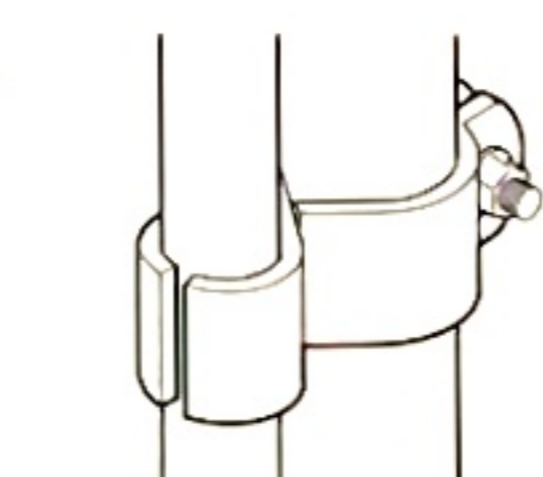
POST 38X25 - 50SQ



FLANGE PLATE



FENCE PANEL 'U' CLIP



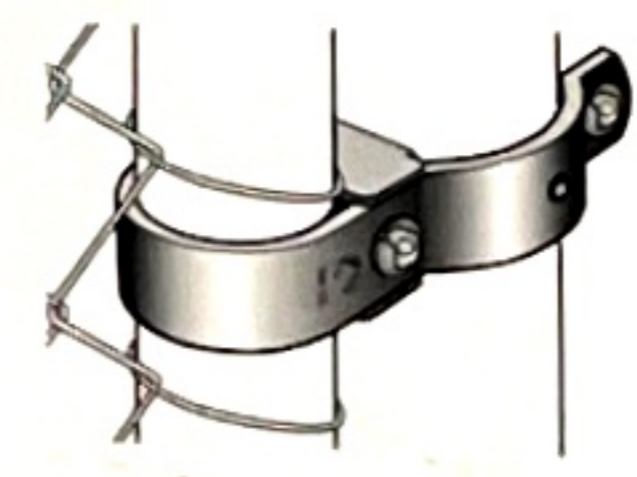
CLAMP-ON HINGE

POST 20NB - 50NB
GATE 20NB - 25NB



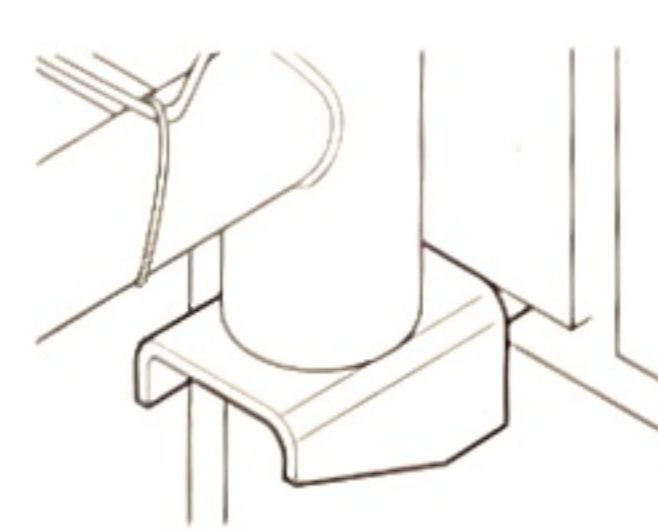
TWO PART INTERLOCKING HINGE

POST 50NB - 80NB
GATE 25NB - 32NB



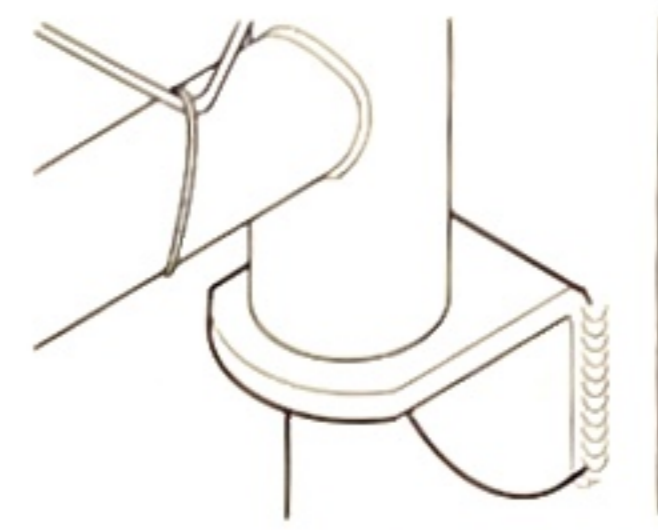
STRAP TYPE HINGE

POST 50NB - 80NB
GATE 25NB - 32NB



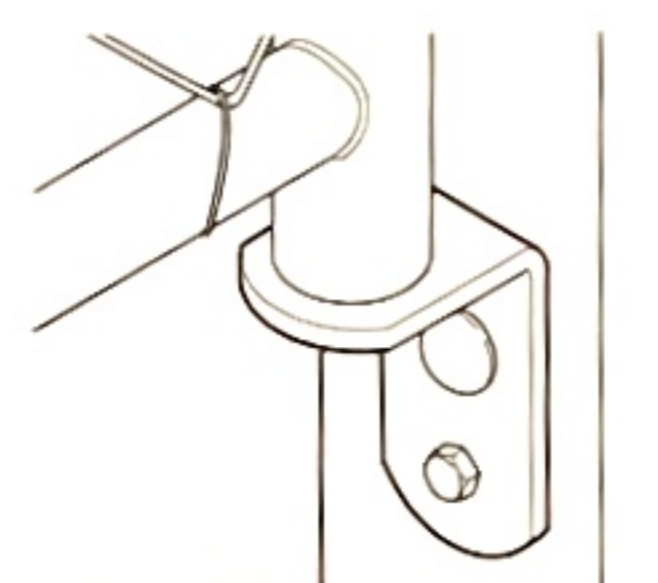
BRICK GUDGEON

GATE: 20NB - 32NB



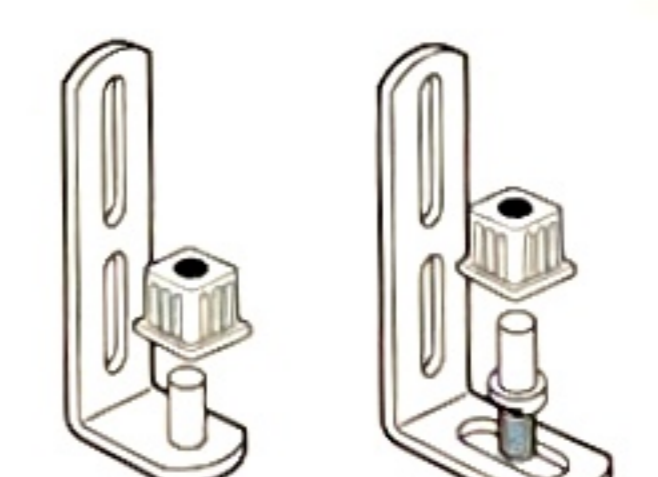
WELD-ON GUDGEON

GATE: 20NB - 32NB



LOOSE BOLT GUDGEON

GATE: 25NB - 32NB

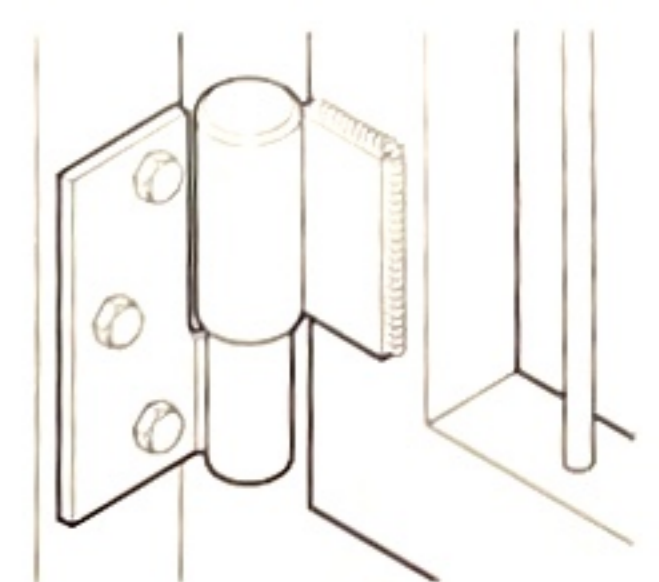


NEW RANGE

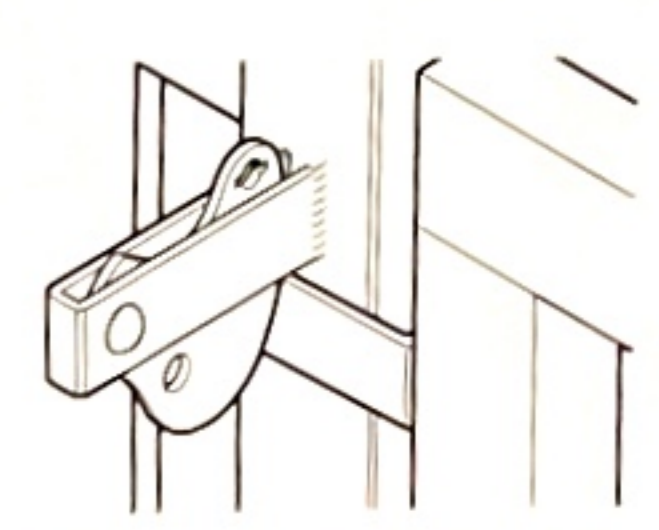


GATE HINGES

TUBE: 25SQ, 30SQ & 25X38

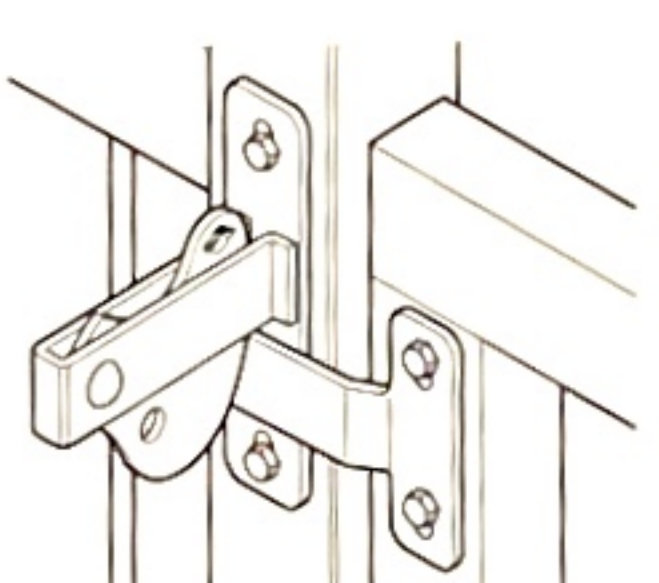


BALL BEARING HINGE

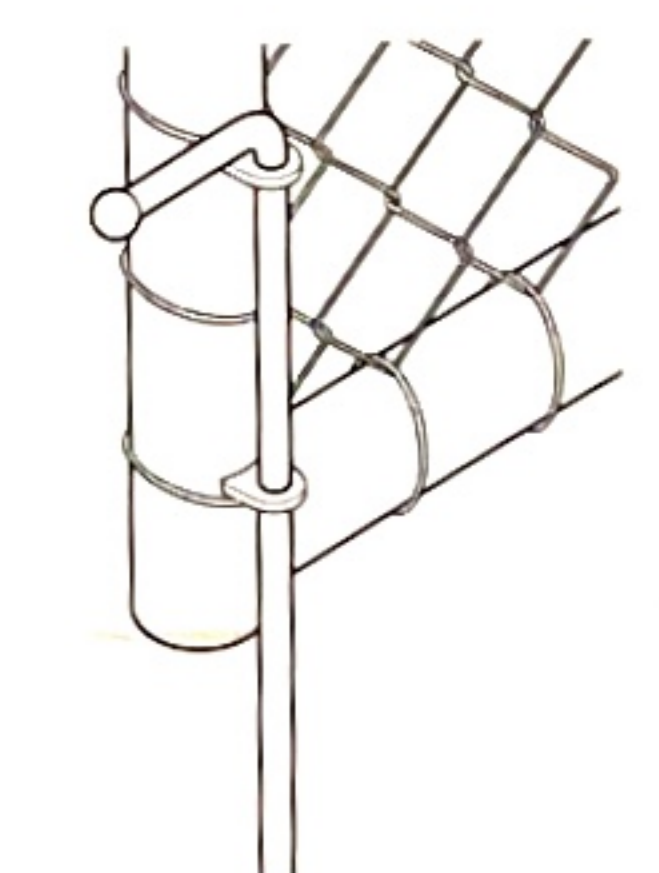


WELD-ON 'D' LATCH

ROUND POST VERSION AVAILABLE

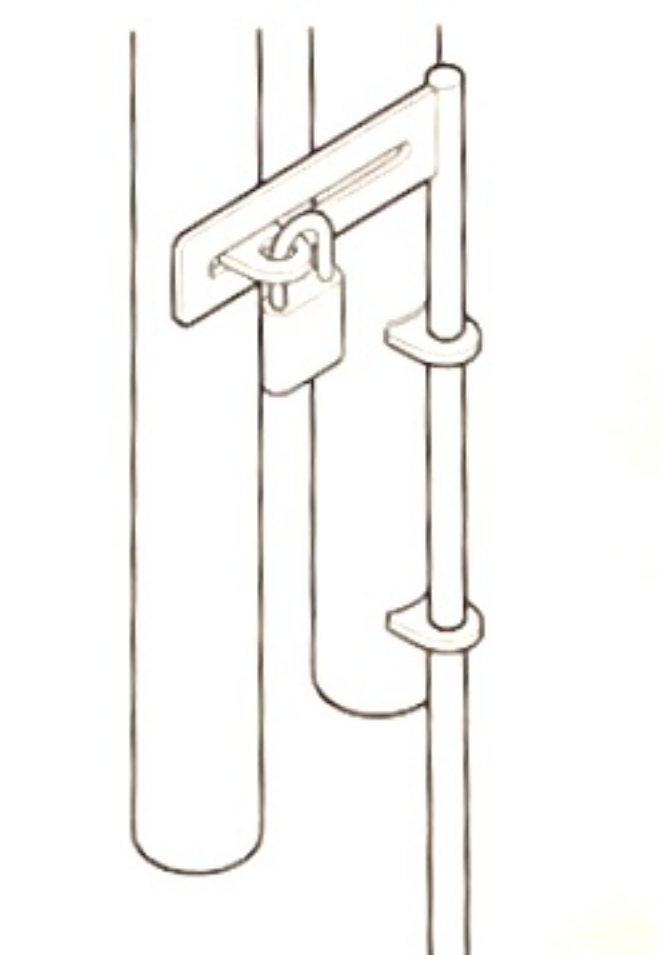


BOLT-ON 'D' LATCH



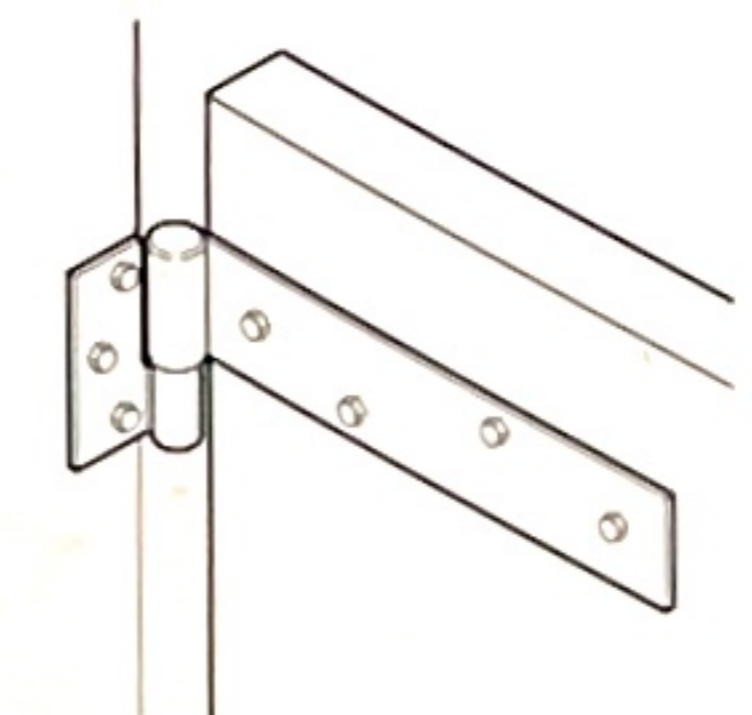
TOWER BOLT

BOLT: 12ØX270 - 20ØX400



SECURITY BOLT

LENGTH 900, 1200 & 1400



BALL BEARING GATE HINGE



© Copyright 2001 DOWNEE RMD
A division of RMD Press Company P/L
ABN 31 004 313 937